

# CONV-X

SMART CONVERTER FOR SERIAL INTERFACES

CE



# CONV-X

- FULLY ISOLATED
- TWO STANDARD CONVERSIONS (RS-232C-RS-422A OR RS-232C - RS-485)
- AUTOMATIC LINE SWITCHING FOR RS-485 INTERFACE
- FULLY COMPATIBLE WITH THE OTHER MODBUS DEVICES
- DIN RAIL OR WALL MOUNTING INSTALLATION

Distribué par :

**HVS**  
PRECONISATEUR DE SOLUTIONS DEPUIS 1988

Contact :  
hvssystem@hvssystem.com

Tél : 0326824929  
Fax : 0326851908

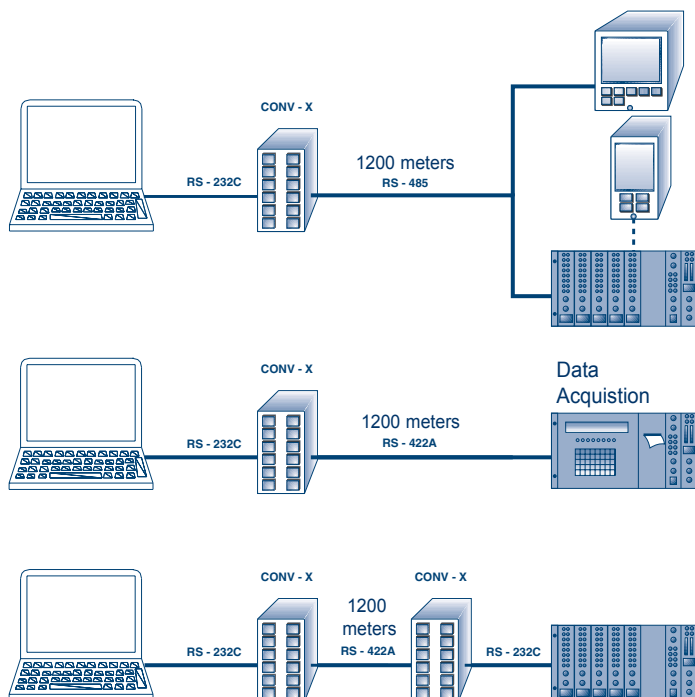
Siège social :  
2 rue René Laennec  
51500 Taissy  
France

[www.hvssystem.com](http://www.hvssystem.com)

ELECTRONIC

## PRODUCT SPECIFICATION

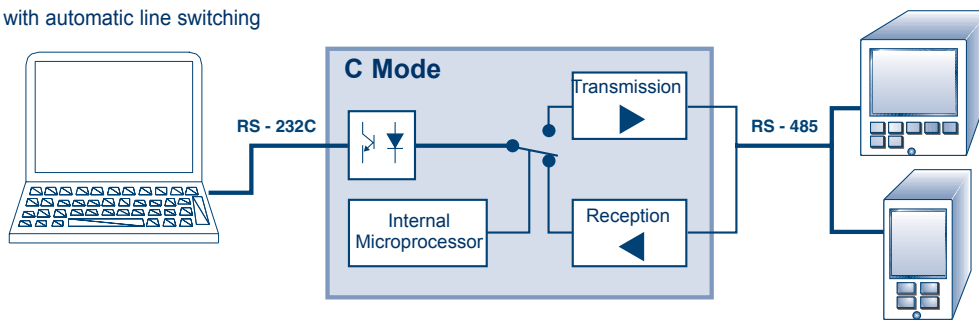
<b>Case:</b>	PC/ABS black colour; self-extinguishing degree: V-0 according to UL 746C.
<b>Protection:</b>	IP 20 according to IEC 529 and CEI 70-1.
<b>Isolation:</b>	Optical isolation between RS-232C and RS-485 (or RS-422A); galvanic isolation between power supply and digital circuits.
<b>Installation:</b>	rear-of-board or DIN rail mounting.
<b>Terminal block:</b>	with screw terminals with identification labels, connection diagrams and safety rear cover.
<b>Dimensions:</b>	48 x 96 mm. depth 155 mm.
<b>Weight:</b>	600 g max.
<b>Power supply:</b>	100 V to 240 V AC 50/60Hz or 24 V DC.
<b>Power supply variations:</b>	from -15% to +10% of the nominal value.
<b>Power consumption:</b>	6 VA max.
<b>Insulation resistance:</b>	> 100 M $\Omega$ according to IEC 348. Dielectric strength: 1500 V r.m.s. continuous, according to IEC 348.
<b>EMC/Safety:</b>	this instrument is marked CE. It conforms to council directives 89/336/EEC (reference harmonized standard EN-50081-2 and EN-50082-2). 73/23/EEC and 93/68/EEC (reference harmonised standard EN61010-1).
<b>Installation category:</b>	II.
<b>Ambient temperature:</b>	0 to +50 °C.
<b>Storage temperature:</b>	-20 to +70 °C.
<b>Humidity:</b>	from 20% to 85% RH, non condensing.
<b>Protection:</b>	WATCH DOG circuit for automatic restart.



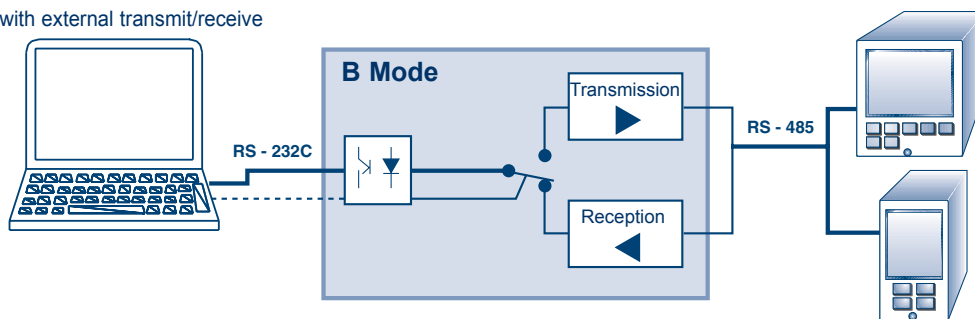
## SERIAL INTERFACES

- Communication type:** mode A: bi-directional full-duplex;  
mode B and C: bi-directional half-duplex.
- Baud rate:** mode A and B: free with max. 76800 baud;  
mode C: 150, 300, 600, 1200, 2400, 4800, 9600, 19200  
38400, 57600 or 76800 baud selectable by dip switch.
- Line length:** - 15 m max for RS-232C;  
- 1200 m max (@19200 baud) for RS-422A and RS-485.
- Word length:** mode A and B: free  
mode C: 7 or 8 bit, with or without parity, 1 or 2 stop bit selectable by internal dip switch.

Interface between RS-232C and RS-485 with automatic line switching



Interface between RS-232C and RS-485 with external transmit/receive



Interface between RS-232C and RS-422A

